



DTS Icom2 GSM Intercom Operating Instruction Manual



**DTS SECURITY
P.O.BOX 3399
EDENVALE
1610**

**Spartan +2711 392 5540 (H/O)
Pretoria +2712 361 5528**

www.dtssecurity.co.za

Main features

- Two station GSM Intercom with simple single button calling.
- Auto 60 second call hang-up with 10 second beep warning.
- DTFM gate opening by call recipient (Press 9 on phone keypad).
- Missed call Access control of up to 500 registered users.
- Gate alarm SMS to programmed recipients.
- Optional 7 day activity log reporting.
- Compatible with most GSM networks (Quad band).
- Operates from an 8 to 32VDC supply (Battery backup recommended).
- Vandal resistant & weather proof stainless steel housing (IP53).

Technical Specifications

Quad-band	850/900/1800/1900MHz
GPRS Multi-slot Class	12' 1~12 configurable
GPRS Mobile station	Class B
Compliant to GSM	Class 4
Phase 2/2+	(2W @ 850/900MHz) Class1 (1W @ 1800/1900MHz)
Speaker	8ohm, 60mm Dia., (Waterproof Cone)
Audio	870mW RMS (1% Distortion)
Microphone	10mm Dia., Electret (Echo cancellation)
Supply voltage range	8.0 t0 32VDC (12/24V nominal)
Operation temperature	-10°C to +60°C
Dimensions	115Width x 180Height x 100mmDepth
Mounting	Wall or Gooseneck pole

Operation

1. Momently press button 1 or 2 to call the labelled name/number. The call will be limited to 60 seconds with a 10 second warning beep prior to the call ending. The call recipient can communicate with the caller using any handset and can open the gate during the call by pressing the phones number 9 key.
2. The call recipient number is programmed as recipient 1 for button 1 and recipient 2 for button 2. Recipient programming is accomplished by using the free "My Gcom" internet portal or by SMS commands (See the Gcom520 programming sheet on page 3).
3. Permanent or temporary gate access control for up to 500 users can be setup using the free "My Gcom" internet portal or by SMS commands (See the Gcom520 programming information below)
4. User configurable location and alarm messages together with status and activity logging modes are setup using the internet portal.

Gcom520 SMS Programming Codes

Default Administration Password (P/W) = 123456 (Can be changed to Alpha Numerical) (See note 2 below)

Default for Operator PIN = 999999

Max tel. number size = 16 Digits (Use international format e.g. +27831231234)

Note that all SMS commands must always finish with a “;” (semi-colon)

Parameter Settings Table

PGM Parameter	Admin	P Code	Data	Default
Change Admin default Password (P/W)	Old P/W,	A1A, or CPWORD,	New 6 character password;	123456
Change 6 digit Operator PIN	Old PIN,	A1P, or COPIN,	New 6 digit Operator PIN;	999999
Change device name	Password,	D1A, or DEVNAME,	Device name; (max. 20 characters)	
Change device number	Password,	D2A, or DEVNUM,	Tel. number;	
Add a SMS recipient	Password,	ADDRECIPI1, or ADDRECIPI2, etc.	Tel. number;	
Delete a SMS recipient	Password,	DELRECIPI1,	Tel. number; (max. 6)	
Add a gate access number	Password,	F2A, or ADDNUM,	Tel. number;	
Delete gate access number	Password,	F2D, or DELNUM,	Tel. number; (<u>See note 4 below</u>)	
Enable security mode	Password,	F3E; or SECURITY ON;		ON
Disable security mode	Password,	F3D; or SECURITY OFF;		ON
Enable daily SMS status report	Password,	F4E; or STATUS ON;		OFF
Disable daily SMS status report	Password,	F4D; or STATUS OFF;		OFF
Daily SMS status report time	Password,	F4T, or STAT TIME,	hh:mm; (24 hour format)	
Request status report	Password,	F4S; or STATUS;		
Request Configuration report	Password,	F4C; or CONFIG;		
Enable power up report	Password,	F5E; or POWERUP ON;		OFF
Disable power up report	Password,	F5D; or POWER OFF;		
Power up report to recipient 1	Password,	F5S; or SMSALL OFF;		OFF
Power up report to ALL recipients	Password,	F5A; or SMSALL ON;		ON
Manually set the internal clock	Password,	TIME;		
Manually request remaining airtime	Password,	AIRTIME;		
Reset the Gcomm to factory default	Password,	DEFAULT;		
Set relay control to missed call	Password,	F7P; or RELAY MCALL;		ON
Input (IP1) alarm delay	Password,	DELAY1,seconds;	(1-999 max. seconds)	2 sec.
Input (IP2) alarm delay	Password,	DELAY2,seconds;	(1-999 max. seconds)	2 sec.
Input (IP1) alarm message	Password,	ALARM1,message;	(max. 50 characters)	
Input (IP2) alarm message	Password,	ALARM2,message;	(max. 50 characters)	
Request software upgrade	Password,	SW UPDATE;		
Change relay1 pulse time	Password,	TRIGTIME;seconds;	(1-99 max. seconds)	1 sec.
Auto close override - GATE open	Password,	OPEN;	Use relay 1	
Auto close override - GATE close	Password,	CLOSE;	Use relay 1	
Operators Commands			(Can use Oper. PIN or Password)	
Pulse relay 1	Oper. PIN,	RELAY1 PULSE,second;	(max. 99 seconds)	1 sec.

Notes

- 1) The 6 character password is case sensitive. All other text is not case sensitive.
- 2) When the customised alarm message is a command to another Gcom520 – terminate the line with a comma and a Semi-colon e.g. 123456,RELAY1 ON,123456,PULSE;
- 3) See the “MY GCOM MANAGER” portal at www.gcom500.co.za for convenient device setup and management.
- 4) Add a gate access number, EG:
 123456,ADDNUM,+27831234567; for unlimited vehicle access.
 or 123456,ADDNUM,+27831234567,07:00,16:00; for limited access 7 days a week.
 or 123456,ADDNUM,+27831234567,07:00,16:00,0000010,V; for limit vehicle access 1 day in a week. (Saturdays)
- 5) The 6 character Admin Password is case sensitive. All other text is not case sensitive.
- 6) For gate open wiring, use RELAY 1, miss call mode.

How to use the above parameter table.

Change Admin Password

Using your cell phone, send an SMS message to the Gcom520 cell number with the following message.
Old Password,A1A,New 6 digit Password; (always finish your message with a semi-colon)

Eg: 123456,A1A,472567 or Abcd99;

Note- should you forget or have a problem with your Admin Password, please contact
DTS Security Products Head Office.

Add/Change device name (The name that will appear on your status message)

Using your cell phone, send an SMS message to the Gcom520 cell number with the following message.

Password,D1A,Device name; (max. 20 characters)

Eg: 123456,D1A,Home Front Gate;

Add/Change device number (The Gcom520 telephone number)

As above but using telephone number (remember to use international format) instead of a name.

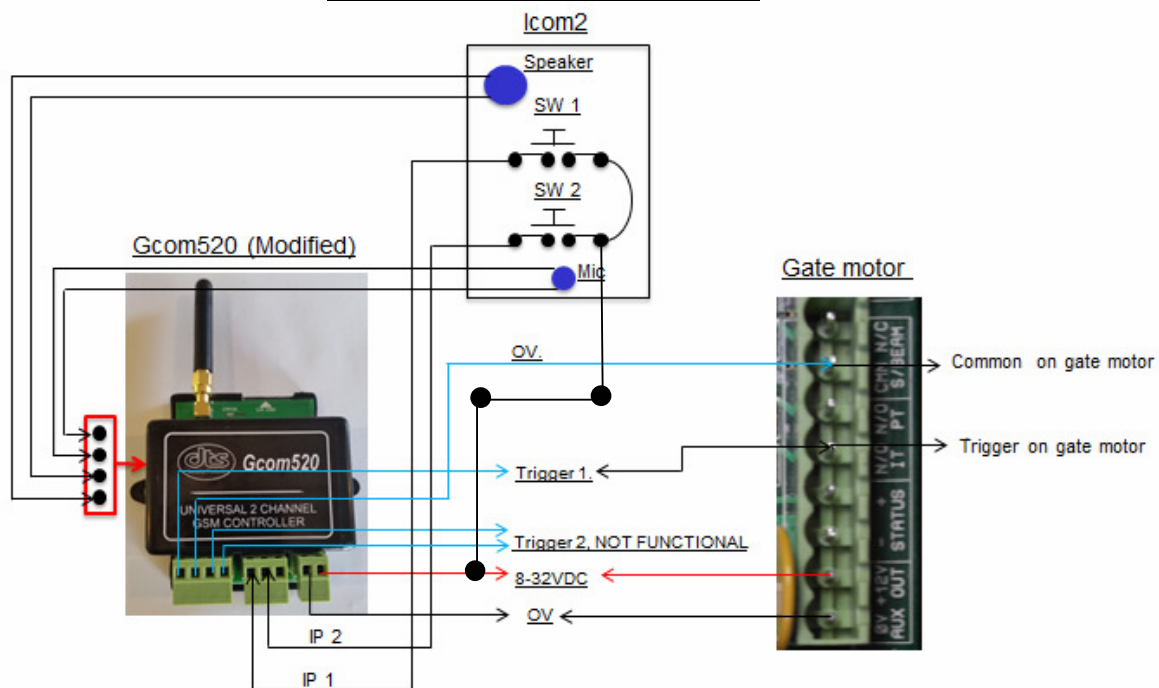
Eg: 123456,D2A, +27831234567;

Delete gate access numbers

Same as above but use **P Code** (F2D)

Note: All the other parameters are changed the same way as explained above using your PIN number followed by a comma followed by the **P Code** followed by a comma followed by the Data were applicable, always finishing off the message with a **semi-colon**.

Wiring of the Gcom520 to a Gate motor.



Manufacturer's warranty.

- All goods manufactured by DTS Security Products carry a 24 month factory warranty from date of invoice.
- All goods are warranted to be free from faulty components and manufacture.
- Faulty goods will be repaired or replaced at the sole discretion of DTS Security Products, free of charge.
- This warranty is subject to the goods being returned to the premises of DTS Security Products.
- This warranty excludes lightning damage, insect damage and damage caused by faulty installation.
- In the event of the goods being supplied by dealer, merchant, agent or duly appointed installer of DTS Security Products, the claim must be directed to that supplier.
- The carriage of goods is for the customer's account.
- This warranty is only valid if the correct installation and application of goods, as laid out in the applicable documentation accompanying said goods, is adhered to.
- All warranty claims must be accompanied by the original invoice.
- The liability of DTS Security Products and / or their distributors is limited as herein set out DTS Security Products and / or their distributors will not be liable for consequential or incident damages however arising.