



DTS Gcom520 Universal 2 channel GSM Controller Operating Instruction Manual



**DTS SECURITY
P.O.BOX 3399
EDENVALE
1610**

TELEPHONE 086 1000 387

**Spartan +2711 392 5540 (H/O)
Pretoria +2712 361 5528**

www.dtssecurity.co.za

How to start using your Gcom520

Connect the Gcom520 to your required appliance (eg: gate motor or Alarm system)

Obtain your sim card cell number

Insert your cell phone sim card into the Gcom520 (**Note: Do not insert or remove sim card with power connected**)

Purchase air time for the inserted sim card (approximately R50.00)

Power up the Gcom520 (LED will come on)

Wait for the LED to start flashing slowly. (If the LED flashes fast, network is not connecting)

Gcom520 is now connected to the network and ready to be used.

Visit www.gcom500.co.za to program via our web interface.

Gcom520 SMS Programming Codes

Default Administration Password (P/W) = 123456 (Can be changed to Alpha Numerical)

Default for Operator PIN = 999999

Max tel. number size = 16 Digits (Use international format e.g. +27831231234)

Note that all SMS commands must always finish with a “;” (semi-colon)

Parameter Settings Table

PGM Parameter	Admin	P Code	Data	Default
Change Admin default Password (P/W)	Old P/W,	A1A, or CPWORD,	New 6 character password;	123456
Change 6 digit Operator PIN	Old PIN,	A1P, or COPIN,	New 6 digit Operator PIN;	999999
Change device name	Password,	D1A, or DEVNAME,	Device name; (max. 20 characters)	
Change device number	Password,	D2A, or DEVNUM,	Tel. number;	
Add a SMS recipient	Password,	ADDRECIP1,	Tel. number;	
Delete a SMS recipient	Password,	or ADDRECIP2, etc.	Tel. number; (max. 6)	
Add a gate access number (Max. 500)	Password,	DELRECIP1,	Tel. number;	
Delete gate access number	Password,	F2A, or ADDNUM,	Tel. number; (<u>See notes</u>)	
Enable security mode	Password,	F2D, or DELNUM,	Tel. number;	ON
Disable security mode	Password,	F3E; or SECURITY ON;		ON
Enable daily SMS status report	Password,	F3D; or SECURITY OFF;		OFF
Disable daily SMS status report	Password,	F4E; or STATUS ON;		OFF
Daily SMS status report time	Password,	F4D; or STATUS OFF;		OFF
Request status report	Password,	F4T, or STAT TIME,	hh:mm; (24 hour format)	
Request Configuration report	Password,	F4S; or STATUS;		
Enable power up report	Password,	F4C; or CONFIG;		OFF
Disable power up report	Password,	F5E; or POWERUP ON;		OFF
Power up report to recipient 1	Password,	F5D; or POWER OFF;		OFF
Power up report to ALL recipients	Password,	F5S; or SMSALL OFF;		ON
Manually set the internal clock	Password,	F5A; or SMSALL ON;		
Manually request remaining airtime	Password,	TIME;		
Reset the Gcomm to factory default	Password,	AIRTIME;		
Set relay control to missed call	Password,	DEFAULT;		ON
Set relay control to SMS mode	Password,	F7P; or RELAY MCALL;		OFF
Input (IP1) alarm delay	Password,	F7L; or RELAY SMS;		
Input (IP2) alarm delay	Password,	DELAY1,seconds;	(1-999 max. seconds)	2 sec.
Input (IP1) alarm message	Password,	DELAY2,seconds;	(1-999 max. seconds)	2 sec.
Input (IP2) alarm message	Password,	ALARM1,message;	(max. 50 characters)	
Request software upgrade	Password,	ALARM2,message;	(max. 50 characters)	
Change relay1 pulse time	Password,	SW UPDATE;		
Change relay 2 pulse time	Password,	TRIGTIME1,seconds;	(1-99 max. seconds)	1 sec.
Auto close override - GATE open	Password,	TRIGTIME2,seconds;	(1-99 max. seconds)	1 sec.
Auto close override - GATE close	Password,	OPEN;	Use relay 1	
		CLOSE;	Use relay 1	
<u>Operators Commands</u>			(Can use Oper. PIN or Password)	
Switch relay1 ON	Oper. PIN,	RELAY1 ON;		
or	Oper. PIN,	PUMP ON;	(<u>See notes</u>)	
Switch relay 1 OFF	Oper. PIN,	RELAY1 OFF;		
or	Oper. PIN,	PUMP OFF;	(<u>See notes</u>)	
Switch relay 2 ON	Oper. PIN,	RELAY2 ON;		
or	Oper. PIN,	Home Alarm ON;	(<u>See notes</u>)	
Switch relay 2 OFF	Oper. PIN,	RELAY2 OFF;		
or	Oper. PIN,	Home Alarm OFF;	(<u>See notes</u>)	
Pulse relay 1	Oper. PIN,	RELAY1 PULSE,second;	(max. 99 seconds)	1 sec.
Pulse relay 2	Oper. PIN,	RELAY2 PULSE,seconds;	(max. 99 seconds)	1 sec.

Notes

- 1) The 6 character Admin Password is case sensitive. All other text is not case sensitive.
- 2) When the customised alarm message is a command to another Gcom520 – terminate the line with a comma and a Semi-colon e.g. 123456,RELAY1 ON,123456,PULSE;
- 3) See the “MY GCOM MANAGER” portal at www.gcom500.co.za for convenient device setup and management.
To latch relays (Relay 1 or Relay 2) on SMS commands, users must be added as SMS Recipients.
- 4) Add a gate access number, EG:
123456,ADDNUM,+27831234567; for unlimited vehicle access.
or 123456,ADDNUM,+27831234567,P; for unlimited pedestrian access.
or 123456,ADDNUM,+27831234567,07:00,16:00; for limited access 7 days a week.
or 123456,ADDNUM,+27831234567,07:00,16:00,0000010,V; for limit vehicle access 1 day in a week. (Saturday)
EG: 1 = Saturdays
or 123456,ADDNUM,+27831234567,07:00,16:00,1000100,P; for limited pedestrian access 2 days a week. (Mon. & Fri.)
EG: first 1 = Mondays & second 1= Friday, Etc.
- 5) For gate open wiring, use RELAY 1 for full opening and RELAY 2 for pedestrian opening.
- 6) RELAY 1 & 2 can be used individually as either a miss calls or SMS commands.
Example: Relay 1 programmed as miss call and Relay 2 programmed as SMS command. (In this format, Relay 1 must be miss call)

How to use the above parameter table.

Change Admin Password

Using your cell phone, send an SMS message to the Gcom520 cell number with the following message.
Old Password,A1A,New 6 digit Password; (always finish your message with a semi-colon)
Eg: 123456,A1A,472567 or Abcd99;
Note- should you forget or have a problem with your Admin Password, please contact
DTS Security Products Head Office.

Add/Change device name (The name that will appear on your status message)

Using your cell phone, send an SMS message to the Gcom520 cell number with the following message.
Password,D1A,Device name; (max. 20 characters)
Eg: 123456,D1A,Home Front Gate;

Add/Change device number (The Gcom520 telephone number)

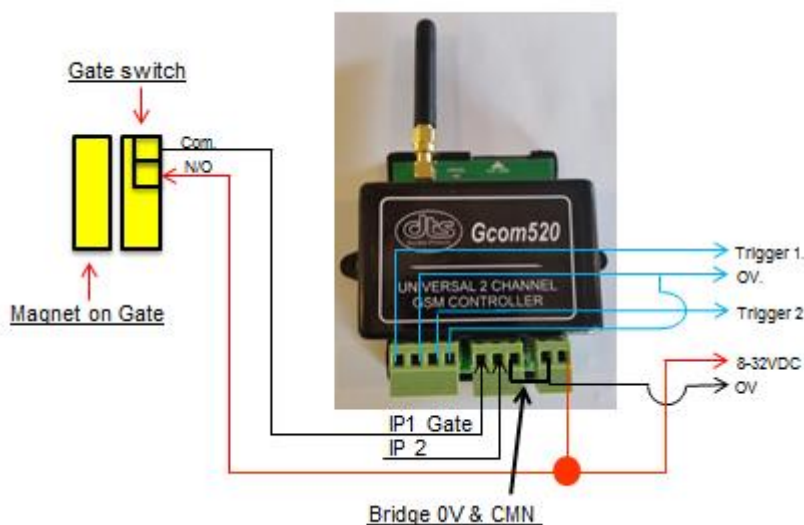
As above but using telephone number (remember to use international format) instead of a name.
Eg: 123456,D2A, +27831234567;

Delete gate access numbers

Same as above but use correct **P Code** (F2D)

Note: All the other parameters are changed the same way as explained above using your PIN number followed by a comma followed by the P Code followed by a comma followed by the Data were applicable, always finishing off the message with a semi-colon.

Wiring of the Gcom520 to a gate and gate motor.



Please note that if the Gcom520 is located or mounted in a metal housing, the existing antenna must be removed and replaced with an external antenna with a SMA-RF connection.

Note: The Gate switch can also be an Alarm contact.

Gcom520 GSM Controller.

The Gcom520 is a universal double relay control unit designed for access control of automated gate systems or for general “SMS” or “Missed Call” Control/Switching applications.

Features.

Stores up to 500 telephone numbers for access control.
Permanent or time limited user access. (ideal for Hotels and Guest houses)
Real time calendar clock.
Configuration parameters remotely set by SMS.
Supply voltage monitoring. (will SMS a warning message if low voltage)
Single monitored input for ON/OFF condition SMS alarming.
Programmable time delay for input monitoring.
Output relays operated from SMS commands or free missed calls.
User programmable alarm message. (message can be a SMS command to another Gcom520)
Status and remaining airtime reporting.
Compatible with all local GSM networks.
Very low power consumption. (less than 20mA in standby)
Operates between 8-32VDC power supply. (battery backup recommended)
Low voltage output relay rated at 1Amp.
IP50 housing.
ICASA approved.

Typical Application.

Access control system.
Industrial or domestic alarm control and monitoring.
Electric fence control and monitoring.
Refrigeration monitoring.
Remote pump control / water level monitoring.

Manufacturer’s warranty.

- All goods manufactured by DTS Security Products carry a 24 month factory warranty from date of invoice.
- All goods are warranted to be free from faulty components and manufacture.
- Faulty goods will be repaired or replaced at the sole discretion of DTS Security Products, free of charge.
- This warranty is subject to the goods being returned to the premises of DTS Security Products.
- This warranty excludes lightning damage, insect damage and damage caused by faulty installation.
- In the event of the goods being supplied by dealer, merchant, agent or duly appointed installer of DTS Security Products, the claim must be directed to that supplier.
- The carriage of goods is for the customer’s account.
- This warranty is only valid if the correct installation and application of goods, as laid out in the applicable documentation accompanying said goods, is adhered to.
- All warranty claims must be accompanied by the original invoice.
- The liability of DTS Security Products and / or their distributors is limited as herein set out DTS Security Products and / or their distributors will not be liable for consequential or incident damages however arising.

For more detailed information on the gcom520, visit our website on
www.gcom500.co.za